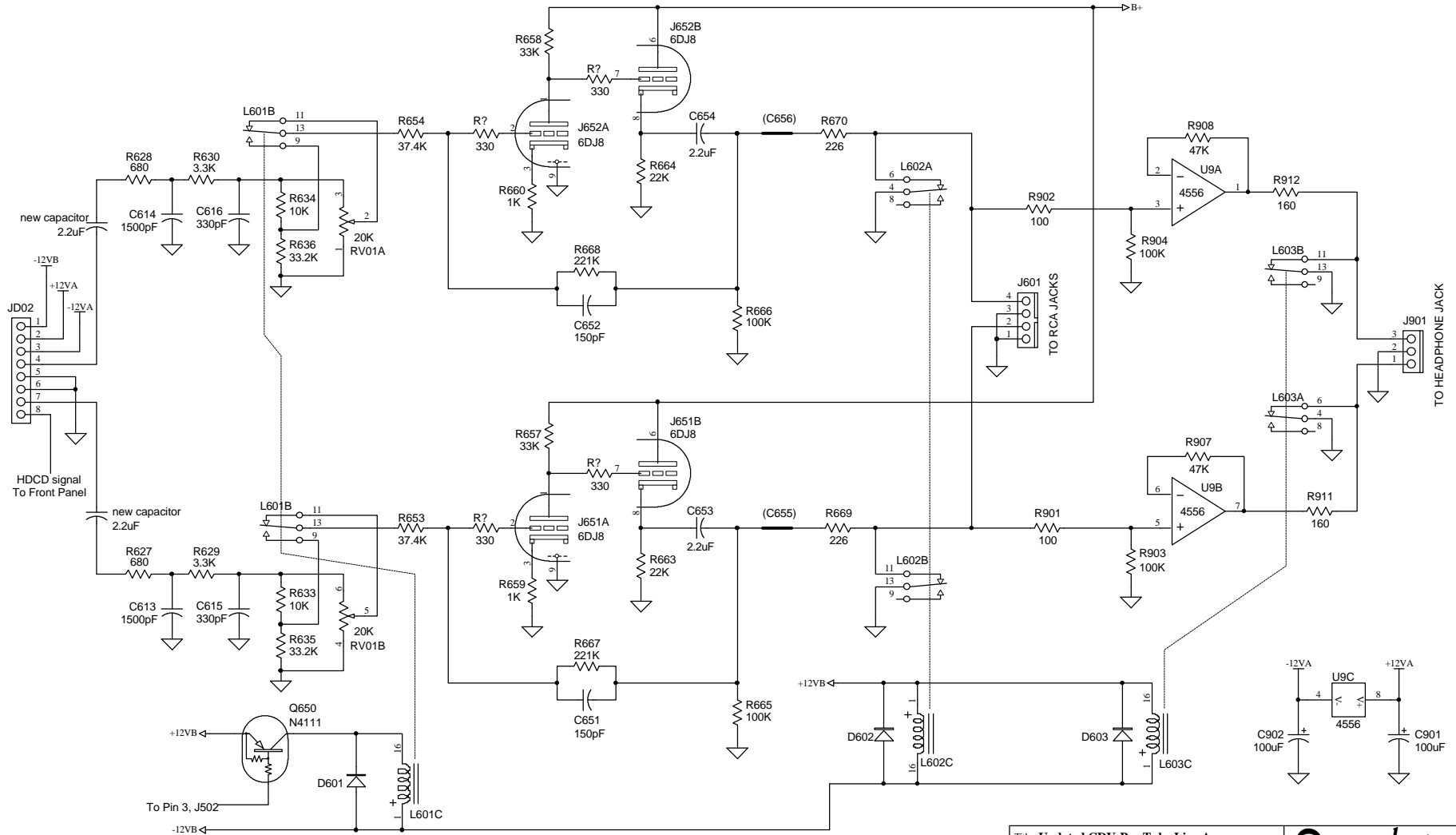



Note: The 330 ohm resistors at the 6DJ8 grids are underneath the tube sockets.



Title: Updated CDV-Pro Tube Line Amp			 P.O. Box 1000 www.one-electron.com Yerington Nevada 89447 USA
Size: B	Number:	Revision: updated	
Date: 1-Jun-2000	Time: 23:16:40	Sheet 3 of 3	
File: C:\Dyna\CDVPro.ddb - Document\NEW_TUB_SCH			