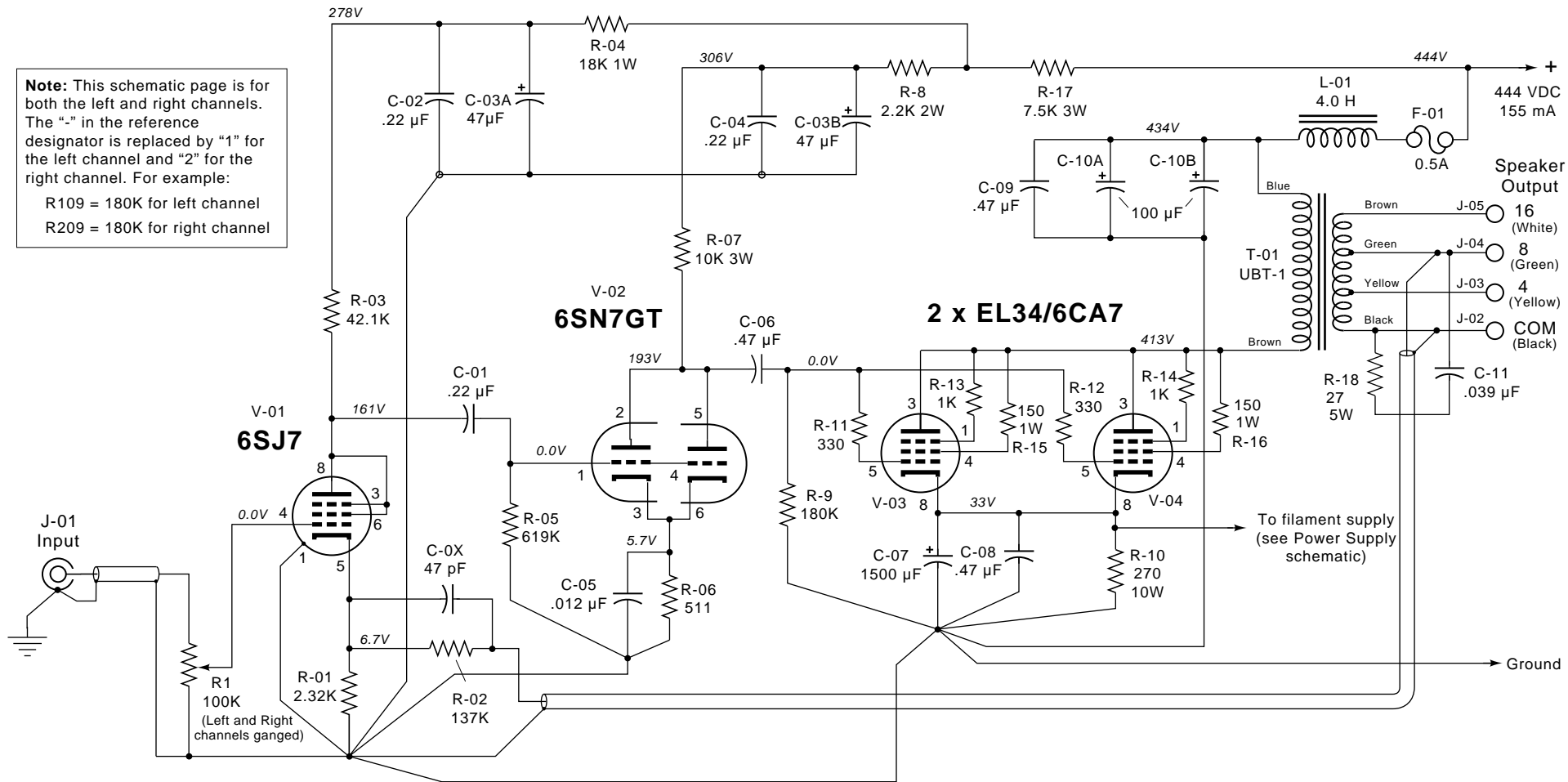


**Note:** This schematic page is for both the left and right channels. The "-" in the reference designator is replaced by "1" for the left channel and "2" for the right channel. For example:  
 R109 = 180K for left channel  
 R209 = 180K for right channel



Quiescent DC operating voltages relative to ground are shown in *italics*.

Unless otherwise noted, all resistances are in ohms. All resistors are 1/2W unless noted.

## The Randall Amplifier Amplifier Sections

rev 2.0, 6/17/98, John Atwood