

# BFT-1 BFT-1A

## Audio-Grade Power Transformers



### Description

The BFT-1 and BFT-1A are high-quality power transformers designed for tube audio power amplifiers. Originally designed for a stereo amplifier using parallel EL34s and UBT-1 output transformers, the BFT-1 and BFT-1A are well suited for moderate-power tube amplifiers. Special audio-grade features include an electrostatic shield between primary and secondary and a copper flux band to reduce stray hum fields. (Some production versions of the BFT-1 are missing the flux band).

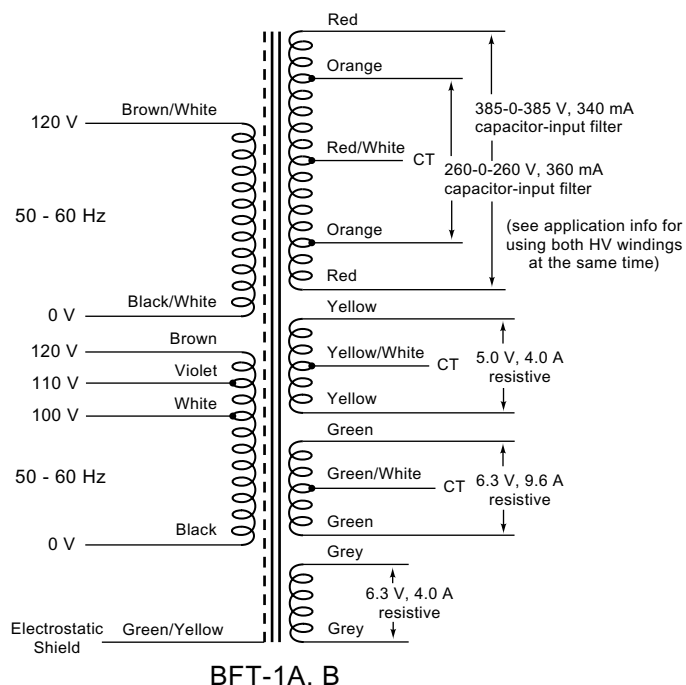
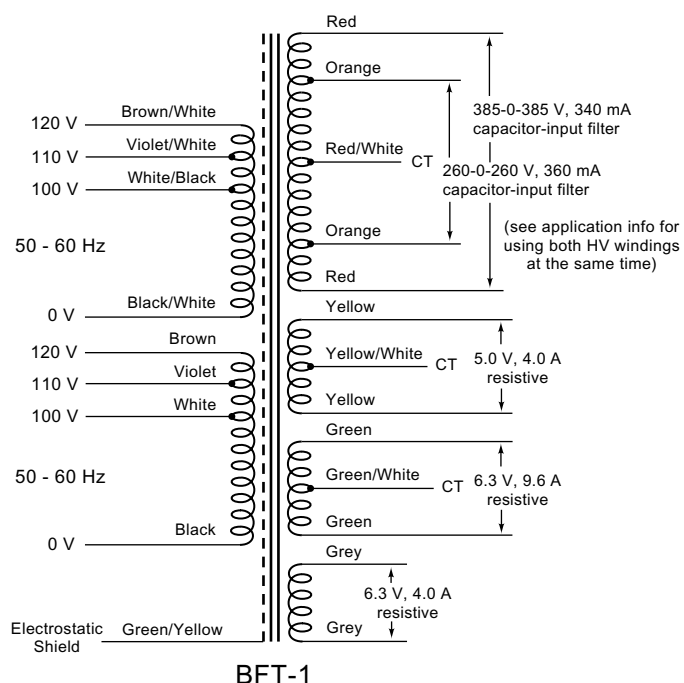
The BFT-1 and BFT-1A were manufactured in the United States to high quality commercial standards. They are protected from moisture by a full vacuum-impregnation with varnish.

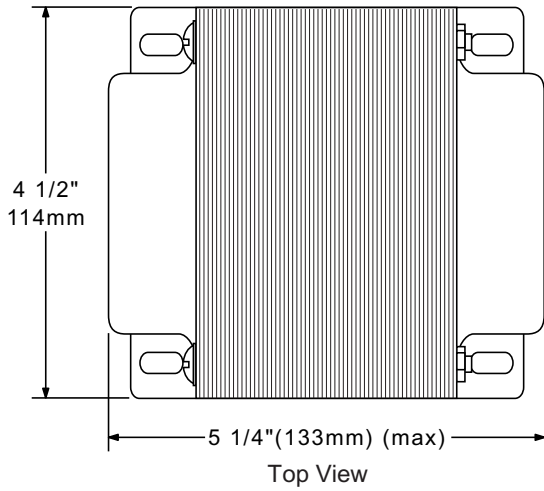
The BFT-1 and BFT-1A has been replaced by the BFT-1B. The BFT-1B is physically larger than these earlier models, with greater design margins. The BFT-1B and BFT-1A have a simpler primary winding arrangement. All types have the same performance specifications. The data listed here is for reference. For specifications and application information, see the BFT-1B data sheet.

### Specifications (different than BFT-1B)

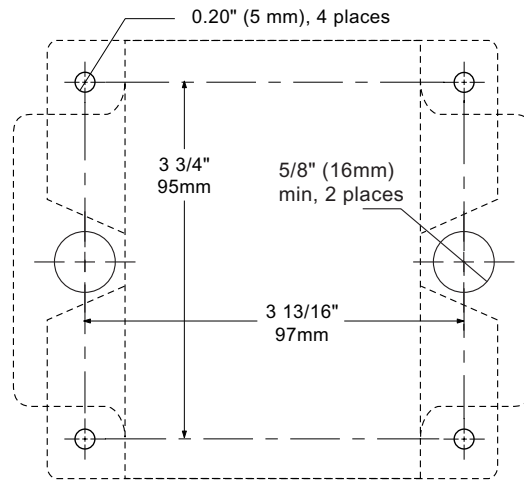
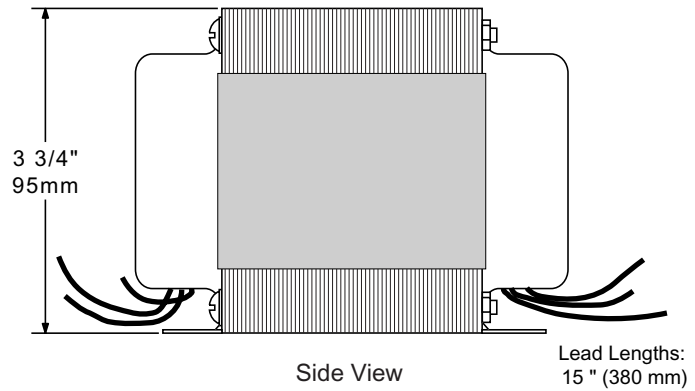
Size: 3.75" x 4.5" x 5.25" (95 x 114 x 133 mm)

Weight: Approx. 12 lbs (5.5 kg)





**BFT-1, BFT-1A Dimensions**



BFT-1, BFT-1A Mounting Hole Footprint



P.O. Box 1000  
Yerington, Nevada 89447 USA  
www.one-electron.com

One Electron Transformers are exclusively distributed by:

Antique Electronic Supply  
6221 South Maple Avenue  
Tempe, Arizona 85283 USA  
Tel: 1-480-820-5411  
FAX: 1-480-820-4643 or 1-800-706-6789  
www.tubesandmore.com