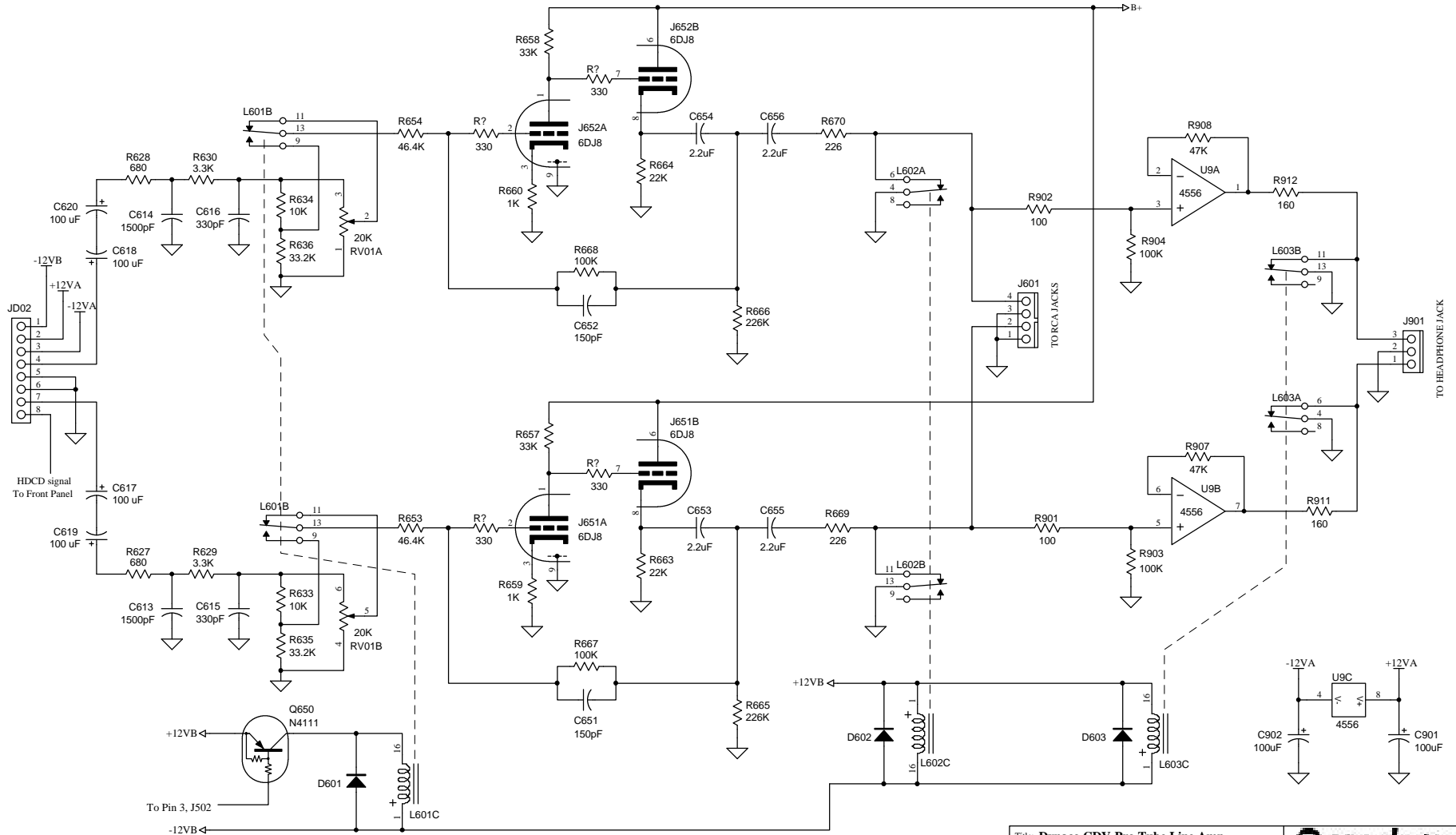


Note: The 330 ohm resistors at the 6DJ8 grids are underneath the tube sockets.



Title: Dynaco CDV-Pro Tube Line Amp			 P.O. Box 1000 Yerington Nevada 89447 USA www.one-electron.com
Size: B	Number:	Revision: as shipped	
Date: 1-Feb-2000	Time: 17:19:45	Sheet 3 of 3	
File: C:\Dynaco\CDVPro.dbb - Documents\CDV9_TUB_SCH			